



- Ultra High Efficiency (Up to 91%)
- Active Power Factor Correction
- Constant Output Voltage
- Up to 305VAC Operation
- Waterproof to IP67
- Lightning Protection
- Comprehensive Protection Circuitry
- Approved to UL8750 & EN61347
- RoHS Compliant
- 3 Year Warranty

Electrical Specifications

Input

Input Voltage	90-305VAC
Input Frequency	47-63 Hz
Input Current	0.90A @ 110VAC 0.42A @ 220VAC
Inrush Current	50A @ 230VAC/25°C/Cold Start
Power Factor	See table
Leakage Current	100µA @ 240VAC

Output

Output Voltage	See table
Overshoot/Undershoot	±10%
Minimum Load	No minimum load required
Start Up Delay	0.6 seconds at 220VAC Input
Line Regulation	±1%
Load Regulation	±2%
Transient Response	±5% max. deviation, recovery to within spec in 10ms for a 50% step load change at a 1A/µs slew rate
Ripple & Noise	2% pk-pk, 20MHz bandwidth
Overvoltage Protection	Latch mode; power on to return to normal operation
Short Circuit Protection	No damage to unit; auto recovery when fault removed
Overtemperature Protection	110°C latch mode; power on to return to normal operation

Note: All specifications typical at 25°C unless noted.

General

Efficiency	See tables
Isolation	3kVAC input to output 3kVAC input to ground 0.5kVAC output to ground 450kHrs for 36VDC output model @110VAC, input, 80% load, 25°C
MTBF (MIL-HDBK-217F)	5.91"L x 2.66"W x 1.46"H 1.65 lbs.
Dimensions	
Net Weight	

Environmental

Operating Temp.	-35°C to +70°C, no temperature derating
Operating Humidity	10% to 100% RH, non-condensing
Storage Temperature	-40°C to +85°C

Safety & EMC

Safety Approvals USA	UL8750 Approved Compliance to UL1310 Class 2, UL1012, UL935
Canada	Compliance to CAN/CSA-C22.2 No. 107.1, CSA-C22.2 No. 250.0
Europe	EN61347-1, EN61347-2-13 Approved
EMI	EN55015 (Radiated & Conducted)
Harmonic Currents	EN61000-3-2 Class C
Voltage Flicker	EN61000-3-3
ESD Immunity	EN61000-4-2; 8kV air; 4kV contact
Radiated Immunity	EN61000-4-3 Level 2
EFT/Burst	EN61000-4-4 Level 2
Surge	EN61000-4-5; 2kV line-line; 4kV line-earth
Conducted Immunity	EN61000-4-6
Magnetic Field Test	EN61000-4-8
Dips / Interruptions	EN61000-4-11
Lighting Equipment Electromagnetic Immunity	EN61547

Your Partners in Power.....

Power Partners, Inc. | 43 Broad Street | Hudson, MA 01749
Tel: (978)567-9600 | Fax: (978)567-9601
Website: www.powerpartners-inc.com

Specifications subject to change.
PIL76U-V: 05/27/2010



Models and Ratings Chart

Nominal Output Voltage	Output Voltage Range (Note 4)	Max. Output Current	Max. Output Power	Typical Efficiency (Note 1)	Power Factor		Model Number (Note 2, 3)	Model Number (Note 2,3)
					110VAC	220VAC		
12VDC	11.4 - 12.6VDC	5.00A	60W	87%	0.99	0.96	PIL76U-V12-SS	PIL76U-V12-ST
24VDC	22.8 - 25.2VDC	3.17A	76W	88%	0.99	0.96	PIL76U-V24-SS	PIL76U-V24-ST
36VDC	34.2 - 37.8VDC	2.11A	76W	89%	0.99	0.96	PIL76U-V36-SS	PIL76U-V36-ST
42VDC	39.9 - 44.1VDC	1.81A	76W	89%	0.99	0.96	PIL76U-V42-SS	PIL76U-V42-ST
48VDC	45.6 - 50.4VDC	1.58A	76W	90%	0.99	0.96	PIL76U-V48-SS	PIL76U-V48-ST
54VDC	51.3 - 56.7VDC	1.41A	76W	91%	0.99	0.96	PIL76U-V54-SS	PIL76U-V54-ST

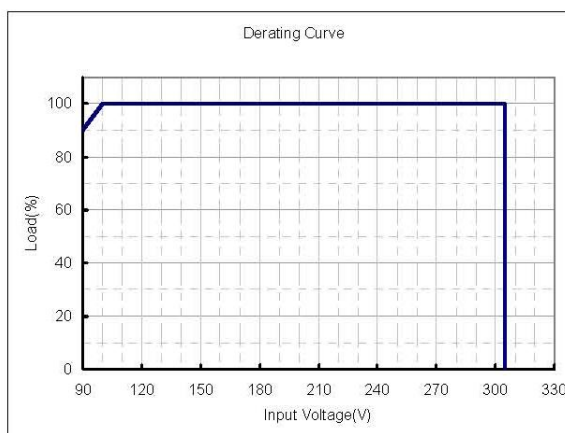
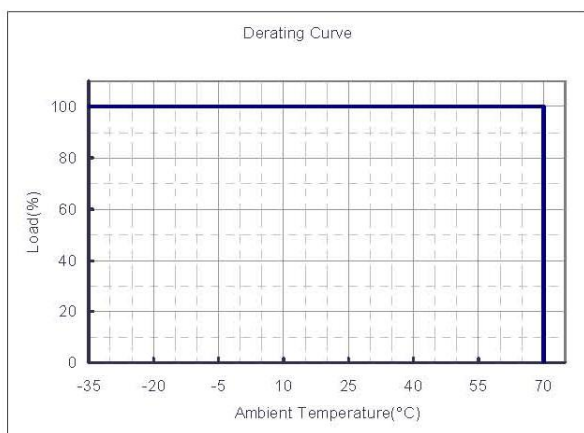
Note 1: Measured at 220VAC input and full load.

Note 2: Additional suffix may be included to denote variations or modifications to the base product.

Note 3: Suffix "SS" indicates a 2 pin AC input; Suffix "ST" indicates a 3 pin AC input.

Note 4: Voltage factory set to nominal, unless otherwise specified.

Derating Curve



Your Partners in Power.....

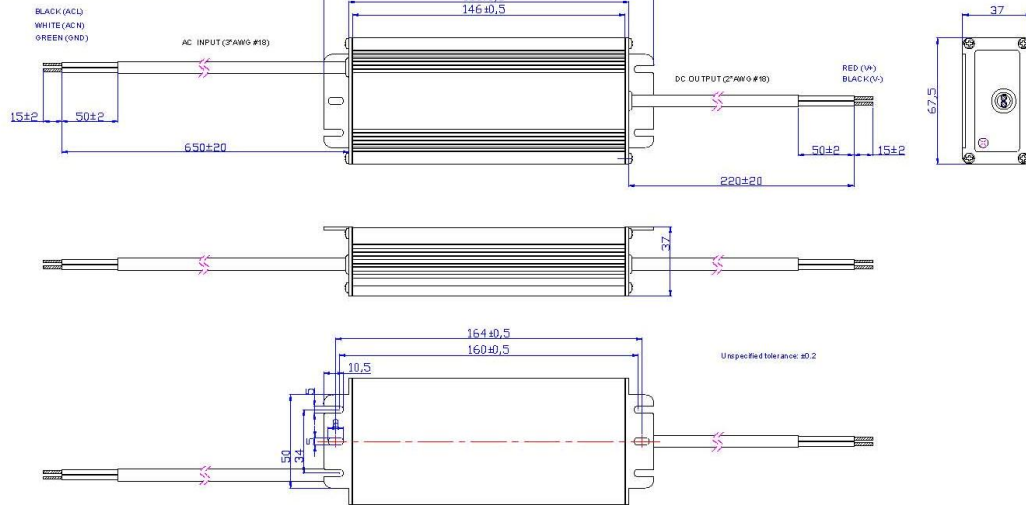
Power Partners, Inc. | 43 Broad Street | Hudson, MA 01749
 Tel: (978)567-9600 | Fax: (978)567-9601
 Website: www.powerpartners-inc.com

Specifications subject to change.
 PIL76U-V: 05/27/2010

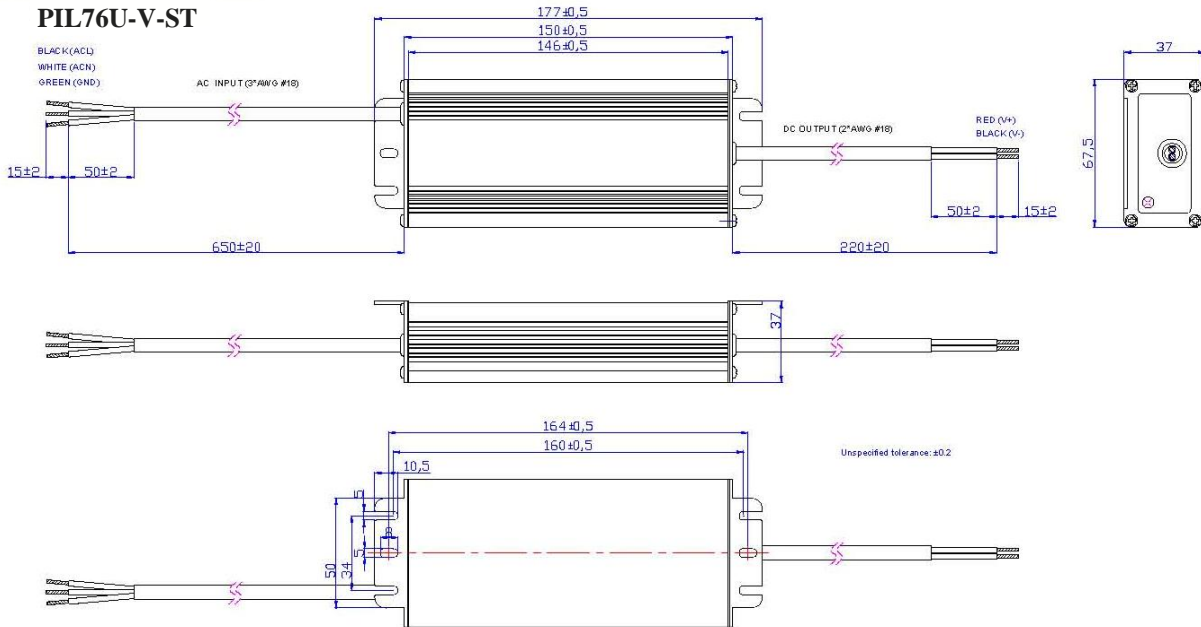


Mechanical Outline Drawings

PIL76U-V-SS



PIL76U-V-ST



Your Partners in Power.....

Power Partners, Inc. | 43 Broad Street | Hudson, MA 01749
 Tel: (978)567-9600 | Fax: (978)567-9601
 Website: www.powerpartners-inc.com

Specifications subject to change.
 PIL76U-V: 05/27/2010