



- Ultra High Efficiency (Up to 86%)
- Active Power Factor Correction
- Constant Output Voltage
- Wide 90-264VAC Input
- Waterproof to IP67
- Comprehensive Protection Circuitry
- Approved to UL8750 & EN61347
- RoHS Compliant
- 3 Year Warranty

### Electrical Specifications

#### Input

Input Voltage	90-264VAC
Input Frequency	47-63 Hz
Input Current	0.70A @ 110VAC 0.35A @ 220VAC
Inrush Current	65A @ 230VAC/25°C/Cold Start
Power Factor	See table
No Power Dissipation	≤1W

#### General

Efficiency	See tables
Isolation	3kVAC input to output 1.5kVAC input to ground 0.5kVAC output to ground 837kHrs @110VAC, 24VDC model, 80% load, 25°C
MTBF (MIL-HDBK-217F)	6.38"L x 1.67"W x 1.36"H 1.01 lbs.
Dimensions	
Net Weight	

#### Output

Output Voltage	See table
Initial Set Accuracy	±10%
Minimum Load	No minimum load required
Start Up Delay	0.8 seconds max @110VAC
Line Regulation	±1%
Load Regulation	±3%
Ripple & Noise	2% pk-pk, 20MHz bandwidth
Overvoltage Protection	Latch mode; power on to return to normal operation
Overcurrent Protection	Hiccup mode; auto-recover when fault removed
Short Circuit Protection	No damage to unit; auto recovery when fault removed
Temperature Coefficient	<0.03%/°C

Note: All specifications typical at 25°C unless noted.

#### Environmental

Operating Temp.	-35°C to +60°C, no derating
Operating Humidity	10% to 100% RH, non-condensing
Storage Temperature	-40°C to +85°C

#### Safety & EMC

Safety Approvals	UL8750 Approved
USA	Compliance to UL1310 Class 2, UL1012, UL935
Canada	Compliance to CAN/CSA-C22.2 No. 0 CSA-C22.2 No. 107.1, CSA-C22.2 No. 250.0
Europe	EN61347-1, EN61347-13
EMI	EN55015 (Radiated & Conducted)
Harmonic Currents	EN61000-3-2 Class C
Voltage Flicker	EN61000-3-3
ESD Immunity	EN61000-4-2; 8kV air; 4kV contact
Radiated Immunity	EN61000-4-3 Level 2
EFT/Burst	EN61000-4-4 Level 2
Conducted Immunity	EN61000-4-6
Magnetic Field	EN61000-4-8
Dips / Interruptions	EN61000-4-11



### Models and Ratings Chart

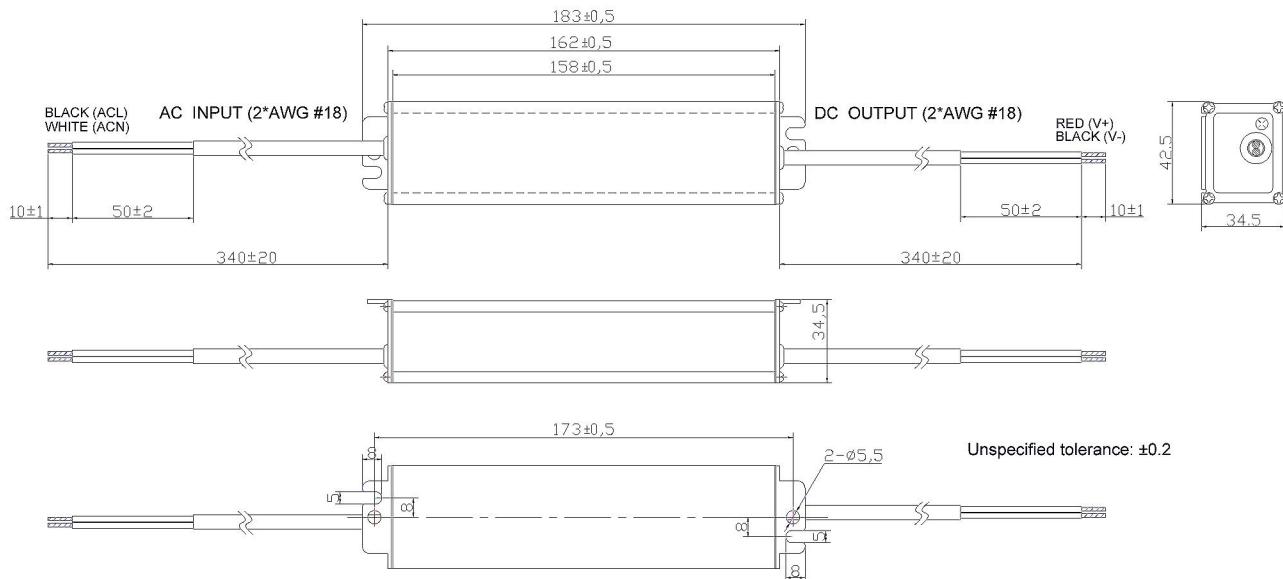
Nominal Output Voltage	Output Voltage Range (Note 3)	Max. Output Current	Max. Output Power	Typical Efficiency (Note 1)	Power Factor		Model Number (Note 2)
					110VAC	220VAC	
12VDC	11.4 - 12.6VDC	3.00A	50W	84%	0.86	0.84	<b>PIL50W-V12</b>
24VDC	22.8 - 25.2VDC	2.10A	50W	86%	0.87	0.85	<b>PIL50W-V24</b>

Note 1: Measured at 220VAC input and full load.

Note 2: Additional suffix may be included to denote variations or modifications to the base product.

Note 3: Voltage factory set to nominal, unless otherwise specified.

### Mechanical Outline Drawing



Your Partners in Power.....

Power Partners, Inc. | 43 Broad Street | Hudson, MA 01749  
Tel: (978)567-9600 | Fax: (978)567-9601  
Website: [www.powerpartners-inc.com](http://www.powerpartners-inc.com)

Specifications subject to change.  
PIL50W-V: 02/12/2010