



- Ultra High Efficiency (Up to 87%)
- Active Power Factor Correction
- Constant Output Voltage
- Up to 305VAC Operation
- Waterproof to IP67
- Comprehensive Protection Circuitry
- Approved to UL8750 & EN61347
- RoHS Compliant
- 3 Year Warranty

Electrical Specifications

Input

| | |
|---------------------|----------------------------------|
| Input Voltage | 90-305VAC |
| Input Frequency | 47-63 Hz |
| Input Current | 0.49A @ 110VAC 0.25A @ 220VAC |
| Inrush Current | 20A @ 230VAC/25°C/Cold Start |
| Power Factor | See table |
| No Load Input Power | ≤3W |

General

| | |
|----------------------|---|
| Efficiency | See tables |
| Isolation | 3kVAC input to output 1.5kVAC input to ground 0.5kVAC output to ground 541kHrs @110VAC, 12VDC model, 80% load, 25°C |
| MTBF (MIL-HDBK-217F) | 6.77"L x 1.36"W x 1.67"H |
| Dimensions | 1.06 lbs. |
| Net Weight | |

Output

| | |
|--------------------------|--|
| Output Voltage | See table |
| Initial Set Accuracy | ±10% |
| Minimum Load | No minimum load required |
| Start Up Delay | 2 seconds max @110VAC |
| Hold Up Time | ≥10mS @ 120VAC, full load |
| Line Regulation | ±3% |
| Load Regulation | ±10% |
| Ripple & Noise | 10% pk-pk, 20MHz bandwidth |
| Overvoltage Protection | Hiccup mode; auto-recover when fault removed |
| Overcurrent Protection | Hiccup mode; auto-recover when fault removed |
| Short Circuit Protection | No damage to unit; auto recovery when fault removed |
| Temperature Coefficient | <0.03%/°C |

Note: All specifications typical at 25°C unless noted.

Environmental

| | |
|---------------------|--------------------------------------|
| Operating Temp. | -35°C to +70°C, (see derating curve) |
| Operating Humidity | 10% to 100% RH, non-condensing |
| Storage Temperature | -40°C to +85°C |

Safety & EMC

| | |
|-------------------------|---|
| Safety Approvals USA | UL8750 Approved Compliance to UL1310 Class 2, UL1012, UL935 |
| Canada | Compliance to CAN/CSA-C22.2 No. 0 CSA-C22.2 No. 107.1, CSA-C22.2 No. 250.0 EN61347-1 |
| Europe | EN55015 (Radiated & Conducted) |
| EMI | EN61000-3-2 Class C |
| Harmonic Currents | EN61000-3-3 |
| Voltage Flicker | EN61000-4-2; 8kV air; 4kV contact |
| ESD Immunity | EN61000-4-3 Level 2 |
| Radiated Immunity | EN61000-4-4 Level 2 |
| EFT/Burst | EN61000-4-5; 2kV line-line; 4kV line-earth |
| Surge | EN61000-4-6 |
| Conducted Immunity | EN61000-4-8 |
| Magnetic Field | EN61000-4-8 |
| Dips / Interruptions | EN61000-4-11 |



Models and Ratings Chart

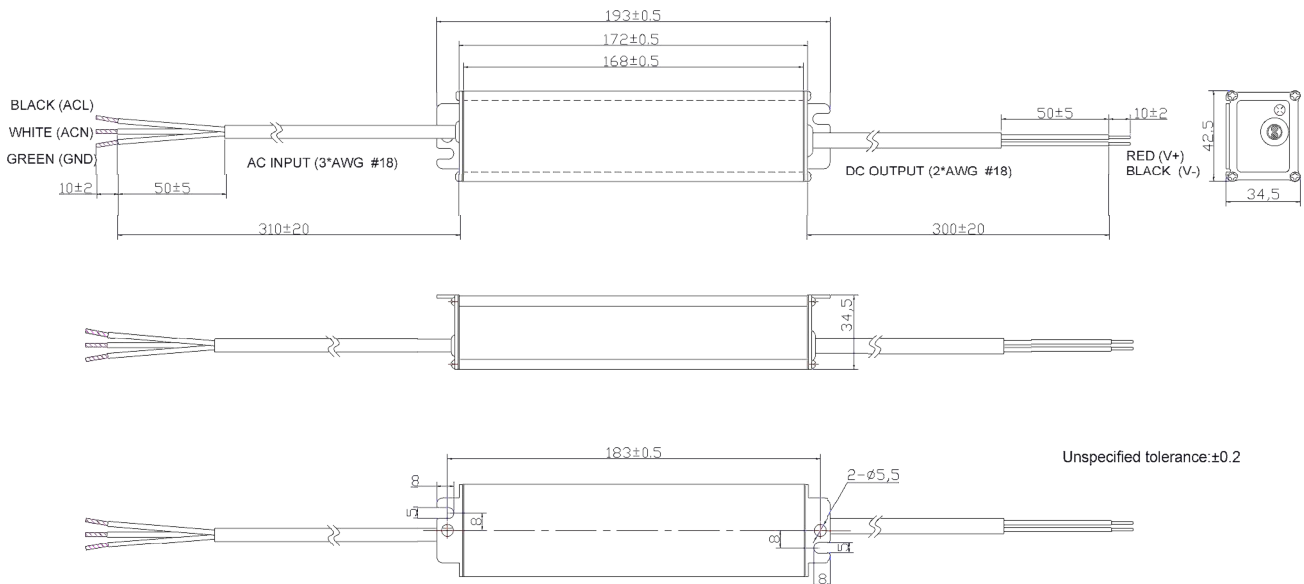
| Nominal Output Voltage | Output Voltage Range (Note 3) | Max. Output Current | Max. Output Power | Typical Efficiency (Note 1) | Power Factor | | Model Number (Note 2) |
|------------------------|-------------------------------|---------------------|-------------------|-----------------------------|--------------|--------|-----------------------|
| | | | | | 110VAC | 220VAC | |
| 12VDC | 10.8 - 13.2VDC | 2.90A | 35W | 82% | 0.99 | 0.92 | PIL35U-V12 |
| 18VDC | 16.2 - 19.8VDC | 1.90A | 35W | 83% | 0.99 | 0.92 | PIL35U-V18 |
| 24VDC | 21.6 - 26.4VDC | 1.46A | 35W | 85% | 0.99 | 0.92 | PIL35U-V24 |
| 36VDC | 32.4 - 39.6VDC | 0.97A | 35W | 86% | 0.99 | 0.92 | PIL35U-V36 |
| 48VDC | 43.2 - 52.8VDC | 0.73A | 35W | 86% | 0.99 | 0.92 | PIL35U-V48 |

Note 1: Measured at 220VAC input and full load.

Note 2: Additional suffix may be included to denote variations or modifications to the base product.

Note 3: Voltage factory set to nominal, unless otherwise specified.

Mechanical Outline Drawing



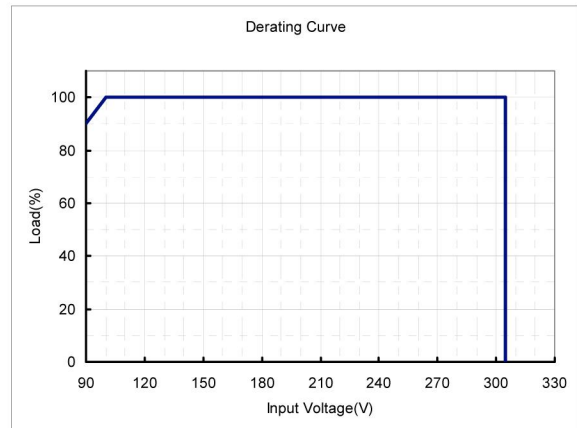
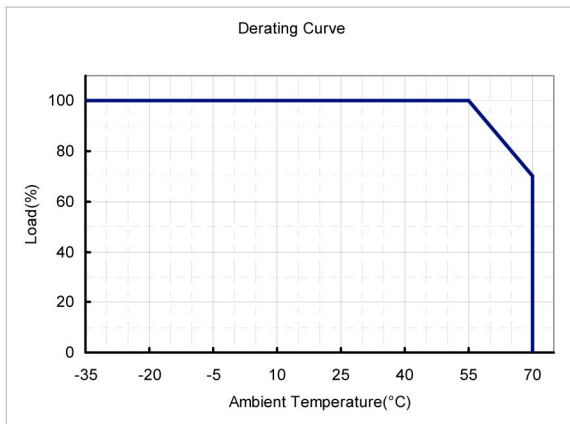
Your Partners in Power.....

Power Partners, Inc. | 43 Broad Street | Hudson, MA 01749
Tel: (978)567-9600 | Fax: (978)567-9601
Website: www.powerpartners-inc.com

Specifications subject to change.
PIL35U-V: 02/08/2010



Derating Curve



Your Partners in Power.....

Power Partners, Inc. | 43 Broad Street | Hudson, MA 01749
Tel: (978)567-9600 | Fax: (978)567-9601
Website: www.powerpartners-inc.com

Specifications subject to change.
PIL35U-V: 02/08/2010