



- Ultra High Efficiency (Up to 92%)
- Active Power Factor Correction
- Constant Output Current
- Up to 305VAC Operation
- Waterproof to IP67
- Lightning Protection
- Comprehensive Protection Circuitry
- Approved to UL8750 & EN61347
- RoHS Compliant
- 3 Year Warranty

Electrical Specifications

Input

Input Voltage	90-305VAC
Input Frequency	47-63 Hz
Input Current	1.8A @ 100VAC 0.9A @ 220VAC
Inrush Current	65A @ 230VAC/25°C/Cold Start
Power Factor	See table

General

Efficiency	See tables
Isolation	3kVAC input to output 1.5kVAC input to ground 0.5kVAC output to ground
MTBF (MIL-HDBK-217F)	311kHrs for 5950mA model @110VAC, 80% load, 25°C
Dimensions	9.37"L x 3.13"W x 1.81"H
Net Weight	3.3 lbs.

Output

Output Voltage	See table
Overshoot/Undershoot	± 10%
Minimum Load	No minimum load required
Start Up Delay	2 seconds maximum
Hold Up Time	≥ 20mS @ 120VAC, full load
Line Regulation	±1%
Load Regulation	±3%
Ripple & Noise	3% pk-pk, 20MHz bandwidth
Overvoltage Protection	Latch mode; power on to return to normal operation
Short Circuit Protection	No damage to unit; auto recovery when fault removed
Overtemperature Protection	110°C maximum internal component temperature

Environmental

Operating Temp.	-35°C to +70°C, (see derating curve)
Operating Humidity	10% to 100% RH, non-condensing
Storage Temperature	-40°C to +85°C

Safety & EMC

Safety Approvals USA	UL8750 Approved Compliance to UL1310 Class 2, UL1012, UL935
Canada	Compliance to CAN/CSA-C22.2 No. 0 CSA-C22.2 No. 107.1, CSA-C22.2 No. 250.0
Europe	EN61347-1, EN61347-2-13 Approved
EMI	EN55015 (Radiated & Conducted)
Harmonic Currents	EN61000-3-2 Class C
Voltage Flicker	EN61000-3-3
ESD Immunity	EN61000-4-2; 8kV air; 4kV contact
Radiated Immunity	EN61000-4-3 Level 2
EFT/Burst	EN61000-4-4 Level 2
Surge	EN61000-4-5; 2kV line-line; 4kV line-earth
Conducted Immunity	EN61000-4-6
Dips / Interruptions	EN61000-4-11

Note: All specifications typical at 25°C unless noted.

Your Partners in Power.....

Power Partners, Inc. | 43 Broad Street | Hudson, MA 01749
Tel: (978)567-9600 | Fax: (978)567-9601
Website: www.powerpartners-inc.com

Specifications subject to change.
PIL150U-C: 05/13/2010



Models and Ratings Chart

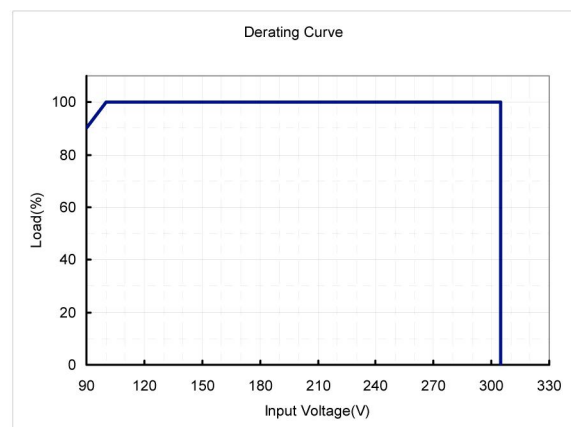
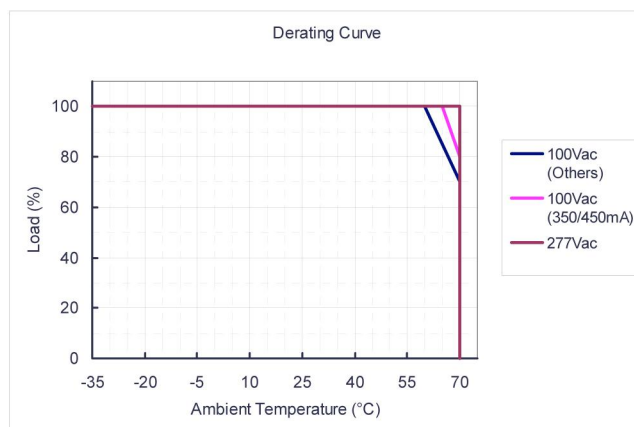
Nominal Output Current	Output Current Range (Note 3)	Max. Output Voltage	Max. Output Power	Typical Efficiency (Note 1)	Power Factor		Model Number (Note 2)
					110VAC	220VAC	
350mA	332mA - 368mA	428VDC	150W	92.0%	0.99	0.96	PIL150U-C350
450mA	427mA - 473mA	333VDC	150W	92.0%	0.99	0.96	PIL150U-C450
700mA	665mA - 735mA	214VDC	150W	92.0%	0.99	0.96	PIL150U-C700
1050mA	997mA - 1103mA	142VDC	150W	92.0%	0.99	0.96	PIL150U-C1050
1400mA	1330mA - 1470mA	107VDC	150W	91.0%	0.99	0.96	PIL150U-C1400
1750mA	1662mA - 1838mA	85VDC	150W	91.0%	0.99	0.96	PIL150U-C1750
2100mA	1995mA - 2205mA	71VDC	150W	91.0%	0.99	0.96	PIL150U-C2100
2450mA	2327mA - 2573mA	61VDC	150W	91.0%	0.99	0.96	PIL150U-C2450
2800mA	2660mA - 2940mA	53VDC	150W	91.0%	0.99	0.96	PIL150U-C2800
3150mA	2992mA - 3308mA	47VDC	150W	91.0%	0.99	0.96	PIL150U-C3150
3500mA	3325mA - 3675mA	42VDC	150W	91.0%	0.99	0.96	PIL150U-C3500
4200mA	3990mA - 4410mA	35VDC	150W	90.0%	0.99	0.96	PIL150U-C4200
4900mA	4655mA - 5145mA	30VDC	150W	90.0%	0.99	0.96	PIL150U-C4900
5950mA	5652mA - 6248mA	25VDC	150W	90.0%	0.99	0.96	PIL150U-C5200

Note 1: Measured at 220VAC input and full load.

Note 2: Additional suffix may be included to denote variations or modifications to the base product.

Note 3: Output current factory set to nominal, unless otherwise specified.

Derating Charts



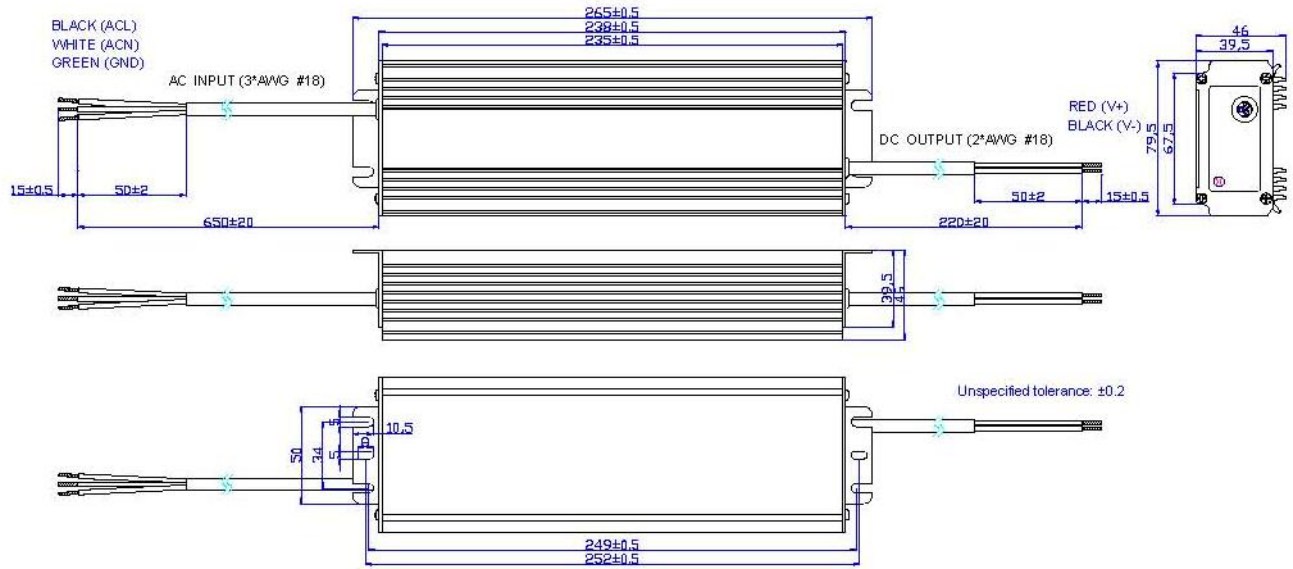
Your Partners in Power.....

Power Partners, Inc. | 43 Broad Street | Hudson, MA 01749
 Tel: (978)567-9600 | Fax: (978)567-9601
 Website: www.powerpartners-inc.com

Specifications subject to change.
 PIL150U-C: 05/13/2010



Mechanical Drawing



Your Partners in Power.....

Power Partners, Inc. | 43 Broad Street | Hudson, MA 01749
 Tel: (978)567-9600 | Fax: (978)567-9601
 Website: www.powerpartners-inc.com

Specifications subject to change.
 PIL150U-C: 05/13/2010